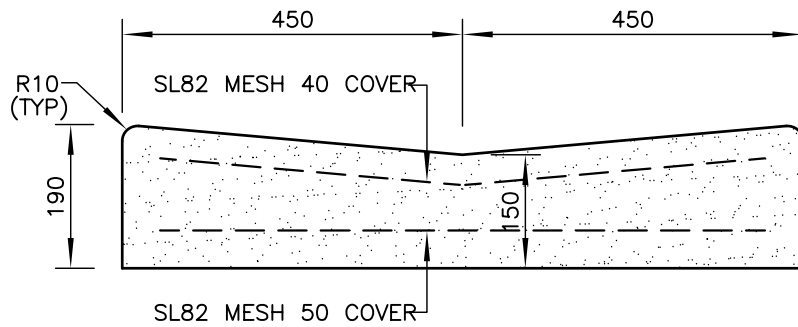
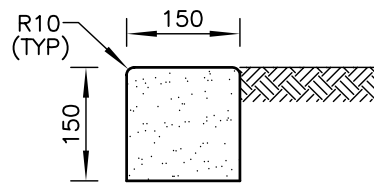


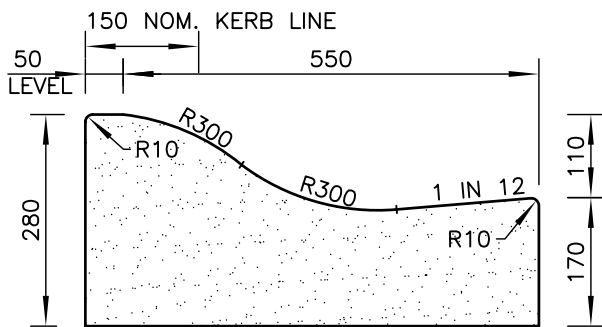
**DRIVEWAY LAYBACK**



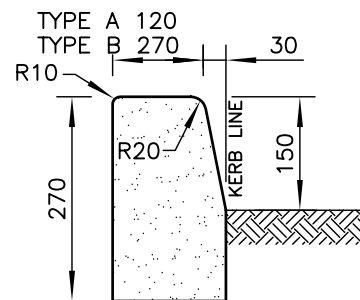
**REINFORCED DISH GUTTER**



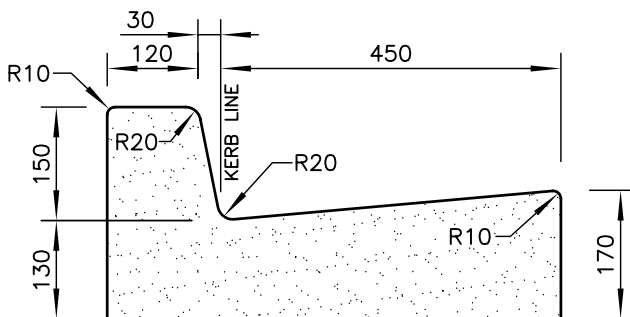
**EDGE STRIP**



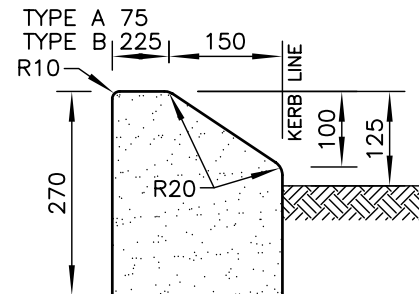
**ROLL KERB**



**BARRIER KERB**




**KERB & GUTTER**



**MOUNTABLE KERB**

**NOTES**

1. TYPE A REFERS TO RESIDENTIAL USE.
2. TYPE B REFERS TO MEDIUM DENSITY, COMMERCIAL & INDUSTRIAL USES.
3. ROAD BASE (MIN. 100 THICK DGB) TO EXTEND BENEATH KERBS, GUTTERS, DISH DRAINS & LAYBACKS.
4. CONCRETE COMPRESSIVE STRENGTH (F'c) AT 28 DAYS, TO BE 20MPa FOR KERBS, GUTTERS & LAYBACKS AND 25MPa FOR DSH CROSSING.
5. ONLY PLAIN UNCOLOURED CONCRETE PERMITTED.

Scale	N.T.S	Issue No.	A	KIAMA MUNICIPAL COUNCIL 	Std Dwg.	
Drawn	D.B	Datum	Assumed		KERB PROFILES	R01
Checked	B.W	Date	MAY 2009			